



Shasta SD-Networking Appliance

RL-Shasta-7130-4GE

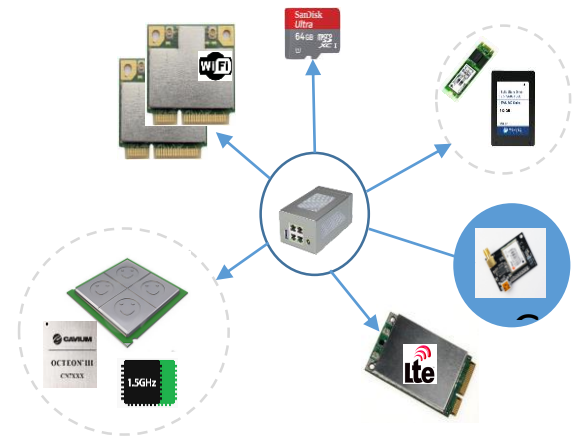
Product Brief

OVERVIEW

Rhino's Shasta is a ground breaking network appliance. The Shasta appliance runs OpenWRT OS and combines small size, high performance and feature scalability. At its heart, the Shasta unit allows second-to-none experience running networking, security and storage applications. Shasta is a unique enterprise-grade appliance able to perform multiple applications within a very small form factor at low power and low cost. The Network appliance is ideal for providing all-inclusive security and network solutions for residential and small & midsize business (SMB), including: next generation firewall, intrusion prevention, gateway antivirus (AV) and anti-spam, VPN tunneling, content filtering, load balancing, data leak prevention, smart WiFi access point, and remote network visibility and management.

Rhino Networking Appliances are based on the best-in-class, quad core Cavium OCTEON® III 71xx processors, providing unparalleled performance in the low power and low price categories

The unit incorporates the Rhino Health Monitoring (RHM) circuitry and logic, providing continuous monitoring of CPU cores, board peripherals, and host processor via heartbeats, voltage, and temperature checkpoints



KEY BENEFITS



Rhino's Health Management (RHM) Tool

Proprietary onboard circuitry and logic providing programmable board and CPU Health Monitoring and Failure Management to ensure optimal network operation and availability



Low Cost

Enterprise-grade appliance at affordable cost. Ideal for residential and small and midsize business networks



Cavium OCTEON III 7130 Processor

The OCTEON III 71xx family of single to quad-core MIPS64 processors target SMB and entry-level Enterprise platforms. The processors provide unparalleled performance in the low power and low price categories



Small Form Factor

Highest performance appliances with the most compatible form factor commercially available



Made in the U.S.A

Rhino products are designed and manufactured locally at our facility in the Silicon Valley, California



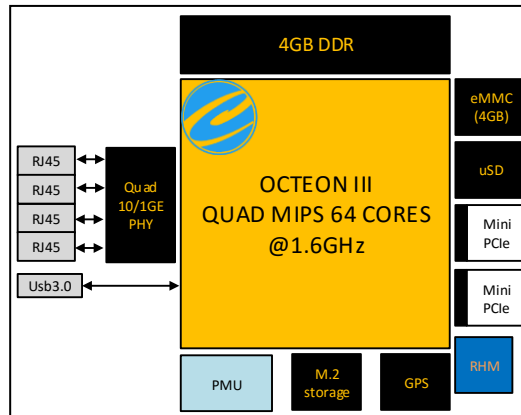
Integrated Wireless Option

802.11 b/g/n/ac 2.4 Ghz and 5.0Ghz
Blue Tooth Low Energy (BLE)

FEATURES

PROCESSOR	Cavium OCTEON III 7130 4 Cores @1.6GHz
MEMORY	4GB DDR3
STORAGE	Onboard 4GB eMMC M.2 Storage module (128-1TB) 2.5" SATA SSD HD uSD Slot
INTERFACES	4x1GE+USB3.0
SOFTWARE	U-Boot from Rhino Labs Comes pre-loaded with Linux SDK or OpenWRT
FORM FACTOR	3.8W x 5.5D x 1.75H (inches)

BLOCK DIAGRAM



Part Ordering

RL-Shasta-LE – Dual core CPU/1GB DDR/4GB storage/WiFi ready

RL-Shasta-HE – Quad core CPU/4GB DDR/128GB SSD/dual WiFi 802.11AC

Optional expansion – LTE / GPS / Storage / Dual WiFi modules

ABOUT RHINO LABS

Rhino Labs Inc. is a leading provider of high-performance networking and data infrastructure solutions

Our products are used by a growing base of OEM customers in applications focused on Cyber Security, Network Monitoring and Traffic Management. Our standard and customized products include Intelligent Bypass NICs, Smart NICs, and a variety of network, security, and storage appliances. We are a privately held company headquartered in Santa Clara, CA with a local engineering and manufacturing facility and a high volume manufacturing facility in Malaysia.

